

PLASTIC PERFORATOR

Dual Drum



Experience Results



The plastic perforator will help increase the compaction rate in volume for all of your containers.

Generally located on the containers line, its dual drums, equipped with teeth, will flatten and perforate your container, allowing a better storage capacity and a better compaction rate in the baler.

MODEL

	Opening Dimensions	Drum Size
Standard	36" x 26-1/2" (914 mm x 673 mm)	24" (610 mm) nominal (27" (685 mm) c/w teeth)
Wide Opening	48" x 26-1/2" (1220 mm x 673 mm)	24" (610 mm) nominal (27" (685 mm) c/w teeth)

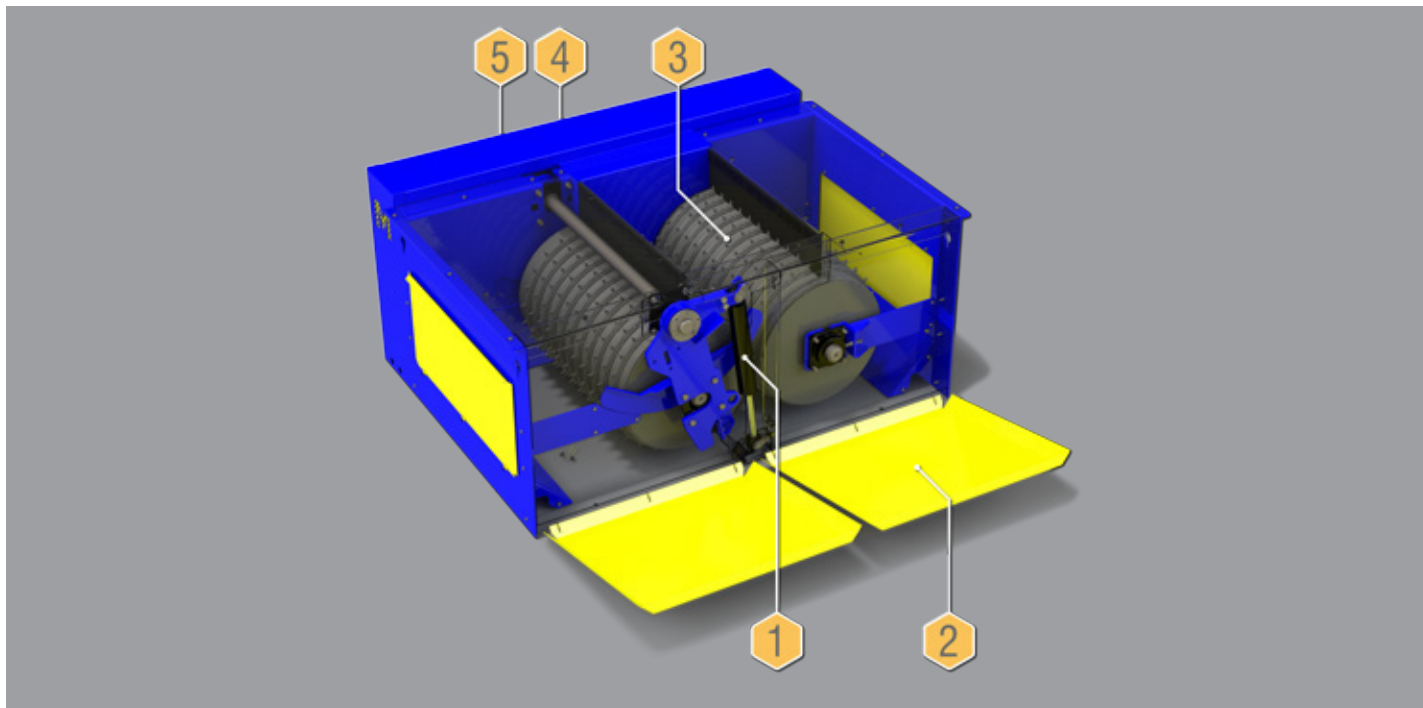
BENEFITS

- ▶ Increase bunker capacity by densifying the containers
- ▶ Increased compaction rate of the baler to result in heavier bales
- ▶ Increase the efficiency of the optical sorter by reducing the roll back of the containers on the acceleration conveyor

APPLICATIONS

- ▶ Single-Stream
- ▶ Commingled Containers

Plastic Perforator



CONSTRUCTION & FEATURES (REFER TO 3D DRAWING)

- 1 Two (2) heavy duty gas, spring-loaded drums for bulky objects
- 2 Guards and access doors for easy maintenance
- 3 Perforating teeth made of AR 500 (Hardox Steel)
- 4 2 x 3 HP TEFC electric motors
- 5 Direct drive transmission with gearbox
- 6 Self-cleaning device by automatic reversal of the drums
- 7 Operates in normal duty with containers up to five (5) gallons
- 8 Total weight of 9,000 lbs. (4080 kg)



The Teeth of the Dual Drums Will Flatten and Perforate Your Containers, Giving You a Better Storage Capacity and a Better Compaction Rate in the Baler.