

# MACH TROMMEL



Experience Results



The MACH Trommels are a key component of modern recycling facilities around the world. Due to their sturdy design, they can withstand the toughest applications. Positioned strategically within your system, the MACH Trommel is a dependable and effective machine to sort various type of material for all sorting streams (Single-Stream, Municipal Solid Waste, Construction & Demolition, etc.).

## MODELS

	Application type	Diameter	Overall Length
<b>MACH Trommel</b>	Fines screening	From 3'-0" to 5'-0" (0.9 m to 1.5 m)	From 6'-0" to 22'-0" (1.8 m to 6.7 m)
<b>MACH Trommel HD</b>	C&D or other severe streams	From 6'-0" to 10'-0" (1.8 m to 3 m)	From 8'-0" to 50'-0" (2.4 m to 15.2 m)

## BENEFITS

- ▶ Provides excellent preparation for downstream sorting
- ▶ Removes abrasive particles from the stream to minimize wear on equipment
- ▶ Easy and safe maintenance
- ▶ Versatility: enables processing of different material stream within a single system

# MACH Trommel

## APPLICATIONS

- ▶ Single-Stream
- ▶ Mixed Waste Processing
- ▶ Construction & Demolition (3D Trommel available for this application)
- ▶ Commercial Waste
- ▶ Commingled Plastics
- ▶ Fiber Sorting
- ▶ Scrap Metal Recycling

## CONSTRUCTION & FEATURES

- ▶ Drum is constructed of removable, bolt-on type screening plates
- ▶ Drum is driven by sprocket and chain or wheel driven drum
- ▶ Drum is turning on steel machined wheels or urethane coated at both ends
- ▶ Dust control covers that shields the full length of the screening sections
- ▶ Access doors for easy maintenance
- ▶ Heavy duty construction
- ▶ Full range of screening openings

## OPTIONS

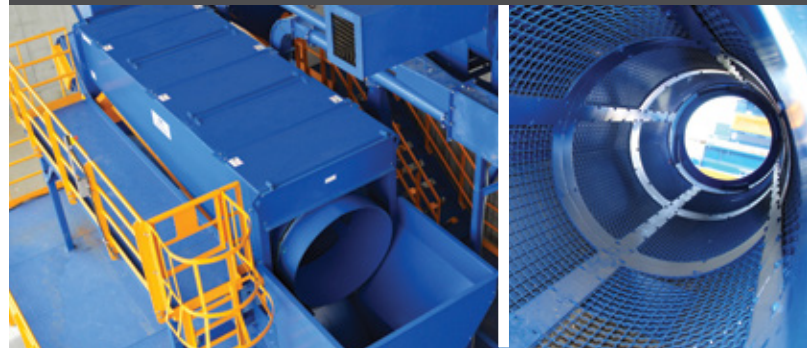
- ▶ Adjustable angle (manual or electric hydraulic pump)
- ▶ Flights to force material in
- ▶ Cutter knives
- ▶ Lifter bars
- ▶ Multiple rotation speeds
- ▶ Dust extraction
- ▶ Multiple models available based on application



*Easy Access Doors On Both Sides*

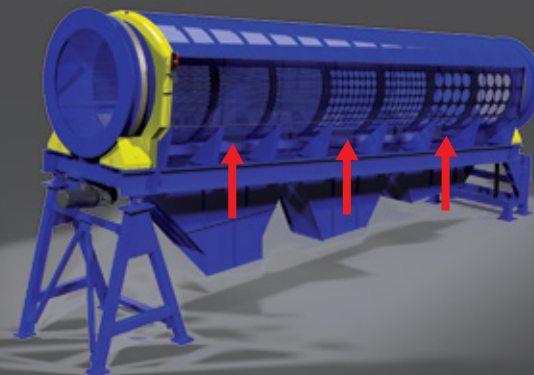


*Optional Access Bridge*



*Trommel For Fines Screening Applications*

Full Range of  
Screening Openings  
Based On Application



(2016-10V)